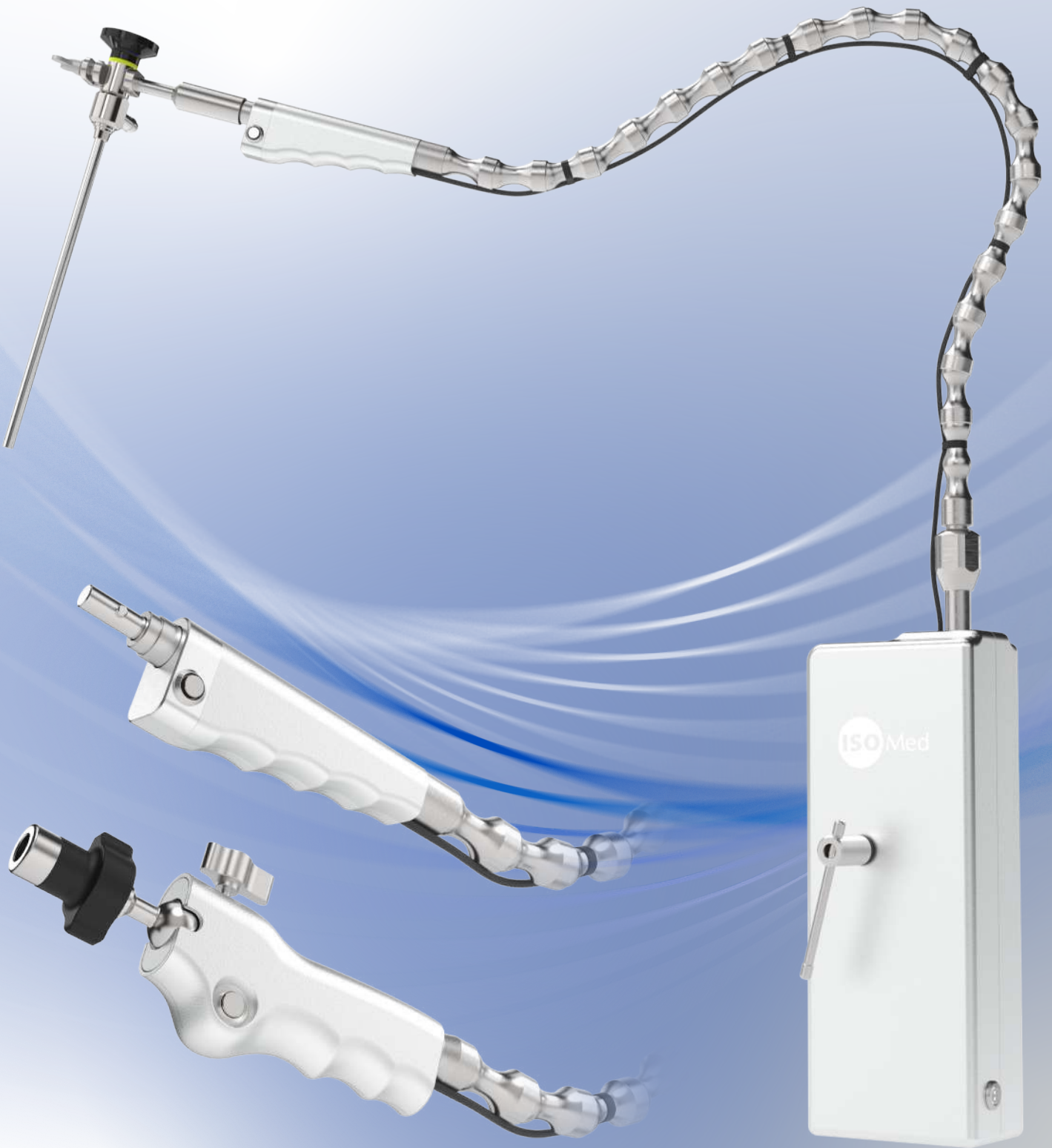


Surgical Electric Support Arm



CLINICAL ADVANTAGES



Stable Support

Prolonged manual instrument holding is a leading cause of surgeon fatigue and chronic pain. The Surgical Electric Support Arm serves as a supportive third arm for instruments, enabling unrestricted two-handed operation and a steady endoscopic view. The arm maintains the surgical site's focus with an instantaneous drift of under 3 mm.



Fail-Safe Mechanism

In the event of a power loss, the integrated mechanical lock engages the power-off brake immediately, freezing the arm in place to prevent drifting or plunging.



Dynamic Maneuverability

The multi-joint articulated arm offers fluid 360-degree rotation and a high degree of freedom. A 1.6-second locking response allows users to fix the arm at any coordinate, while the 2 kg payload capacity supports a versatile range of instruments.



Universal Clinical Utility

The Surgical Electric Support Arm is a comprehensive solution designed for seamless integration across the clinical spectrum, making it a versatile asset for a variety of surgical specialties.



F series



R series



DEVICE OVERVIEW



Technical Specifications

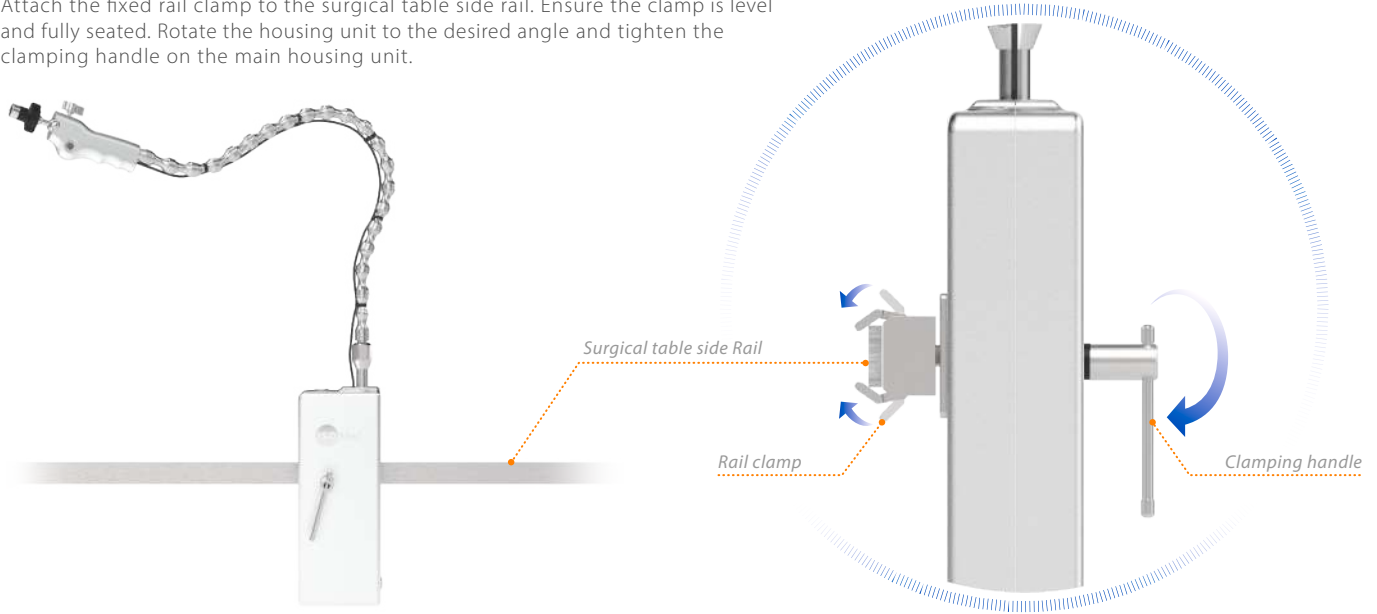
Adapter	Input	100-240 VAC, 50-60 Hz, 2.5-1.3 A
	Output	24 VDC, 9.2 A, 221 W MAX
Rated Input		24 VDC, 80 W
Maximum payload of the articulated arm		2 kg
Maximum payload of the overall system		20 kg



OPERATIONAL GUIDE

Installation

Attach the fixed rail clamp to the surgical table side rail. Ensure the clamp is level and fully seated. Rotate the housing unit to the desired angle and tighten the clamping handle on the main housing unit.

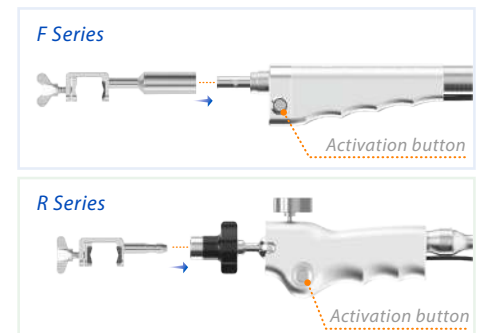


Setup

Connect the adapter and toggle the power switch. Confirm the blue indicator light is on. Cover with a sterile drape before attaching instruments.

Press and hold the activation button to move the arm and release to lock the arm. Confirm the arm maintains its position.

Select the appropriate instrument clamp according to surgical needs and attach to the handle.



Positioning

Secure the endoscope or surgical tool into the instrument clamp.

Press and hold the activation button to guide the arm to the surgical field and release to lock the arm.

For R Series handles, loosen the orientation lock and rotate the orientation knob to the desired viewing angle. Tighten the lock to secure the instrument.

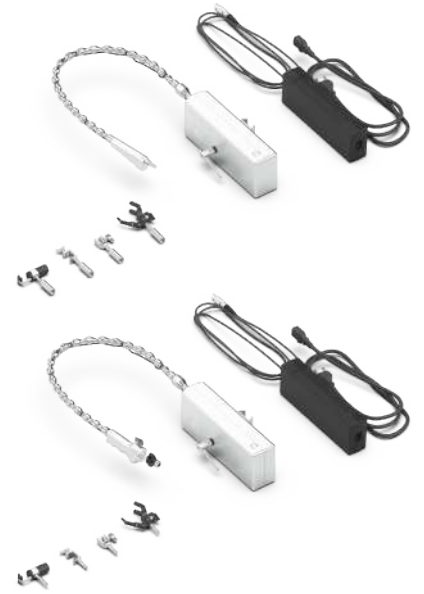


Post-procedure

Dismount the surgical instrument, press and hold the activation button to loosen the articulated arm, then turn off the power switch. Disassemble the instrument clamp and disinfect using a neutral solvent.

MODEL AND SPECIFICATIONS

Handle type	Model	Arm length (mm)	Tolerance (mm)
F Series (Fixed handle)	BSC600F	600	±15
	BSC650F	650	±15
	BSC700F	700	±15
	BSC750F	750	±15
	BSC800F	800	±15
	BSC850F	850	±15
	BSC900F	900	±15
R Series (Rotatable handle)	BSC600R	600	±15
	BSC650R	650	±15
	BSC700R	700	±15
	BSC750R	750	±15
	BSC800R	800	±15
	BSC850R	850	±15
	BSC900R	900	±15



Instrument Clamp Compatible with F Series			Instrument Clamp Compatible with R Series		
Instrument clamp model	Maximum instrument OD(mm)		Instrument clamp model	Maximum instrument OD(mm)	
 F-EN3D	45		R-EN3D	45	
 F-EASY	20		R-EASY	20	
 F-UNIV	18		R-UNIV	18	
 F-PLAT	18		R-PLAT	18	



ZAE Les Pointes
230, rue des Grands Prés
60230 Chambly - FRANCE

info@fbmedical.fr
+33 (0)1 30 28 43 07

www.isomedfrance.fr